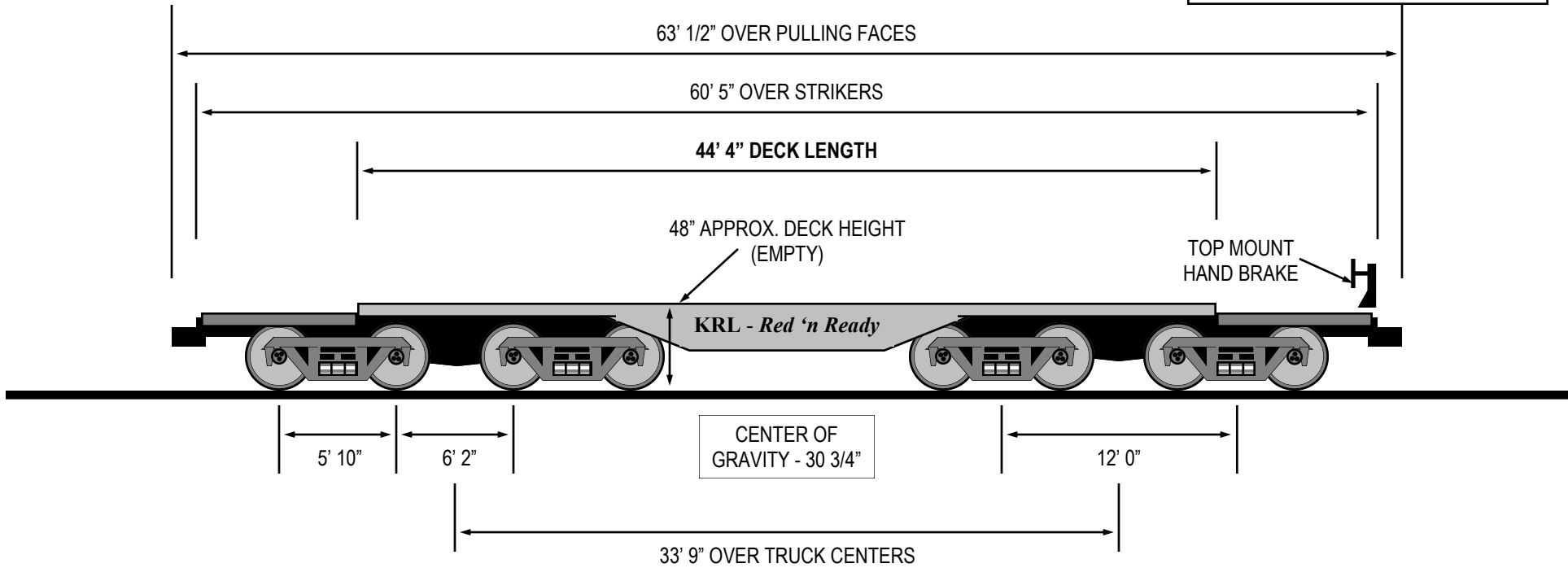


# KRL 500605 & 500606

Kasgro Rail Corporation  
2650 Sival Rd NW Ramsey, IN 47166  
888-203-5580 812-347-3559 FAX



LENGTH OF LADING (ft)	LOAD LIMITS (lbs)	CAR NUMBERS	LOAD LIMITS (lbs)	LIGHT WEIGHTS (lbs)	MAXIMUM GROSS (lbs)	SPRING TRAVEL (in)	DECK LENGTH (ft-in)	DECK HEIGHT (ft-in)	JOURNAL SIZE BEARING TYPE
0	315,000	<b>500605 500606</b>	410,100	115,900	526,000		44' 4"	4' 0"	6 1/2" X 12" ROLLER
4	327,000					WHEEL DIAMETER (in)	DECK WIDTH (ft-in)	DRAFT GEAR	
8	343,500					36"	10' 0"	15" EOC	
12	362,000								
16	383,000								
18 & OVER	LOAD LIMIT								

## KRL 500605 & 500606 200 Ton - 44' 4" Straight Flat Deck Car Drawing No. A19639, Rev. A