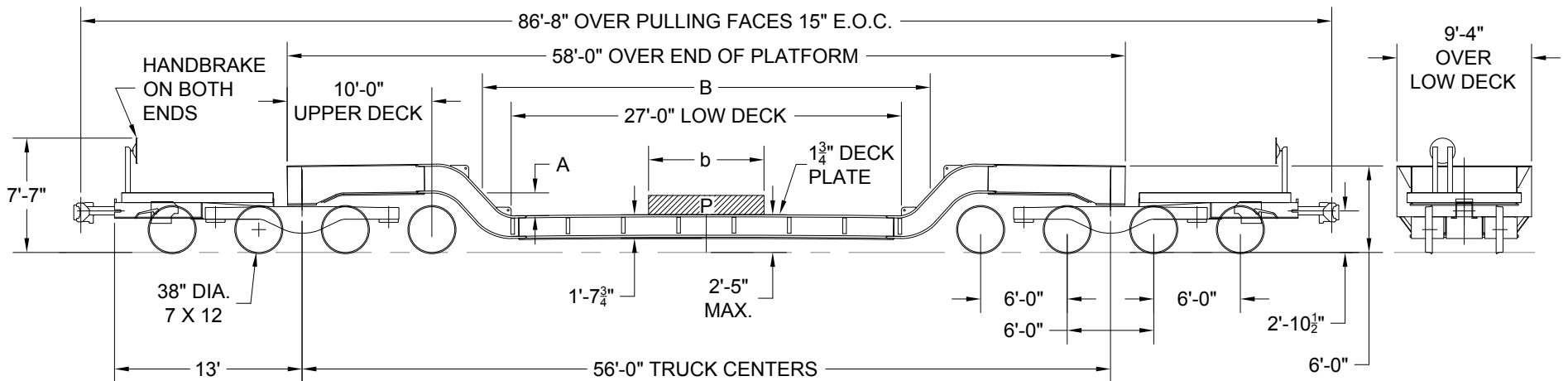
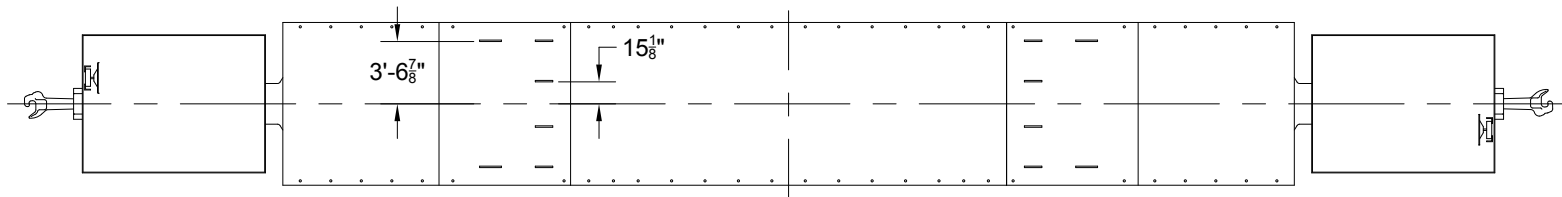


2'-5" DECK HEIGHT ABOVE RAIL IS MEASURED AT CENTER OF CARBODY, INCLUDING CAMBER, WITH A LOAD EQUAL TO 50% OF LOAD LIMIT UNIFORMLY DISTRIBUTED OVER FULL LENGTH OF LOAD DECK.



MAXIMUM WEIGHT OF PARTIAL LENGTH LOADS	
LOAD LENGTH (FT) (b)	LOAD (1000) (LBS) (P)
2	413.0*
4	420.0
6	428.0
8	437.0
10	445.0
12	454.0
14 & OVER	LOAD LIMIT
	* MAX. CONCENTRATED LOAD

CENTER OF GRAVITY - EMPTY = 30.8" ATR
 CLEARANCE PROFILE WITHIN AAR PLATE "C"

BOTTOM OF LOAD ABOVE DECK A	MAX. LENGTH OF LOAD B
12"	29'-6"
18"	30'-6"
24"	31'-6"

CAR NUMBERS QTTX 130700-130703
 CAR NUMBERS QTTX 130714-130717

CLASS	CAR SERIES	LOAD LIMIT LBS.	LIGHT WEIGHT LBS.
IDH27	130700-130703	459,600	170,400
KDH27	130714-130717	459,600	170,400

TTX		TTX COMPANY CHICAGO, ILLINOIS	
230 TON, 27 FOOT DECK DEPRESSED CENTER FLAT CAR			
CLASS IDH27 & KDH27	DATE 06-01-00	REV G	7223