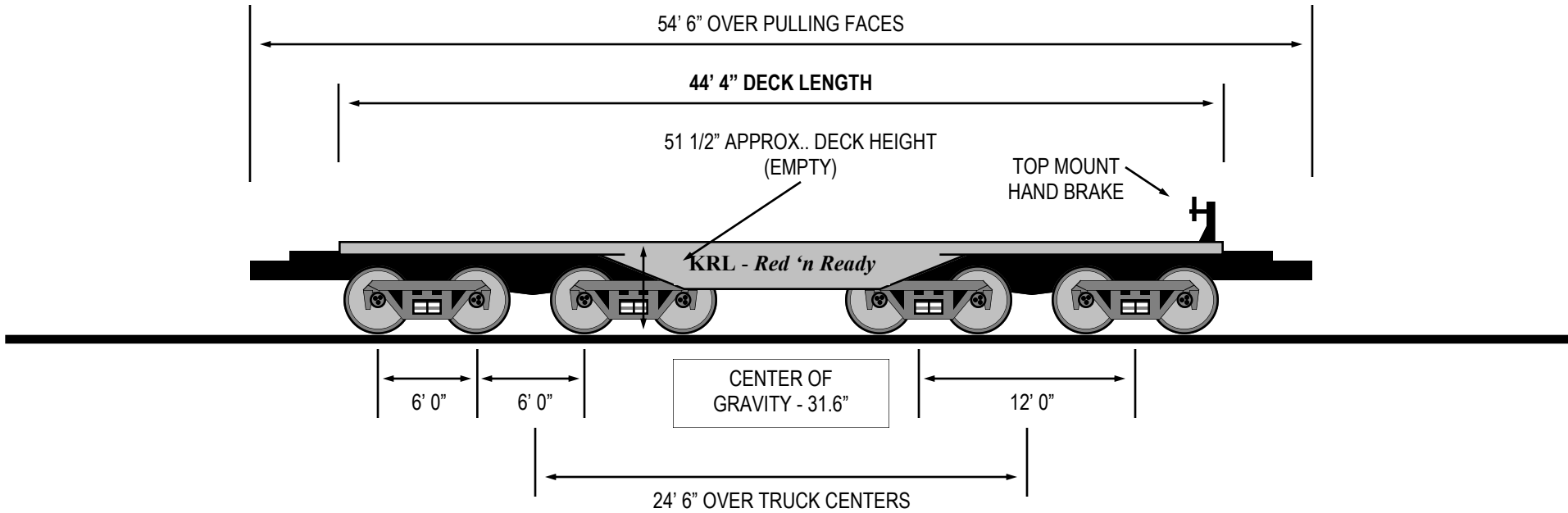


KRL 90021-90023

Kasgro Rail Corporation
 2650 Sival Rd NW Ramsey, IN 47166
 888-203-5580 812-347-3559 FAX



LENGTH OF LADING (ft)	LOAD LIMITS (lbs)	CAR NUMBERS	LOAD LIMITS (lbs)	LIGHT WEIGHTS (lbs)	MAXIMUM GROSS (lbs)	SPRING TRAVEL (in)	DECK LENGTH (ft-in)	DECK HEIGHT (ft-in)	JOURNAL SIZE BEARING TYPE
0	390,000	90021	515,800	114,200	630,000	2 1/2"	44' 4"	4' 3 1/2"	7 X 12 ROLLER
2	406,600	90022	515,900	114,100	630,000	WHEEL DIAMETER (in)	DECK WIDTH (ft-in)	DRAFT GEAR	
4	424,600	90023	515,600	114,400	630,000				
6	444,400					38"	10' 0"	CM H-60	
8	466,000								
10	490,000								
12 & OVER	LOAD LIMIT								

KRL 90021-90023 255 Ton - 44' 4" Flat Deck Car Drawing No. A19668, Rev. A